

CHDD[®]

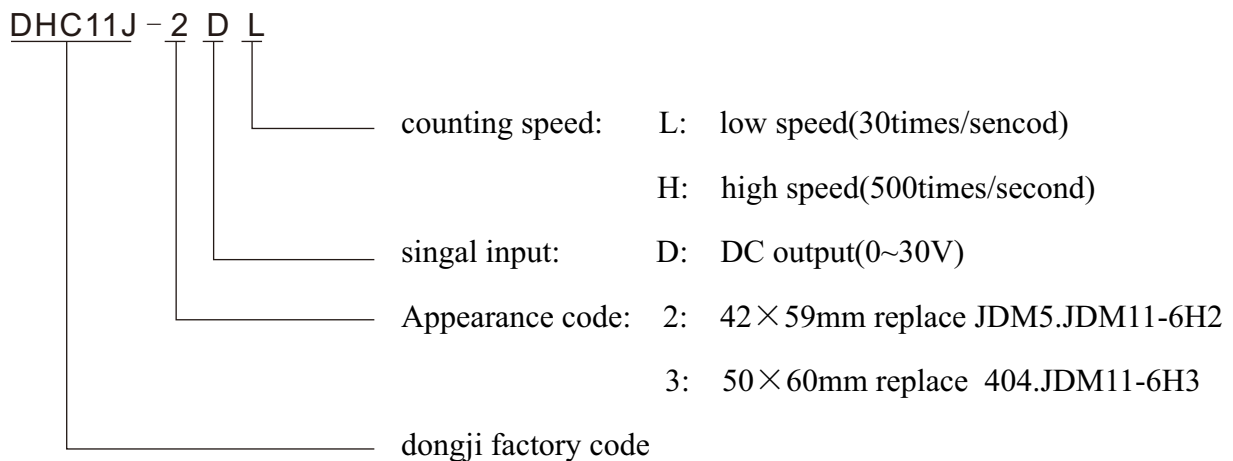
COUNTER

DHC11J

MINI electronic counter

- 1: Large scale integrated circuits
- 2: 6 digital and 0.36 inch LED
- 3: DC 12V output, for sensor using
- 4: Outage memory, inside E²PROM integrated can up to 10 years.
- 5: input signal photo isolation, Suitable for sensor input, contact input and voltage input

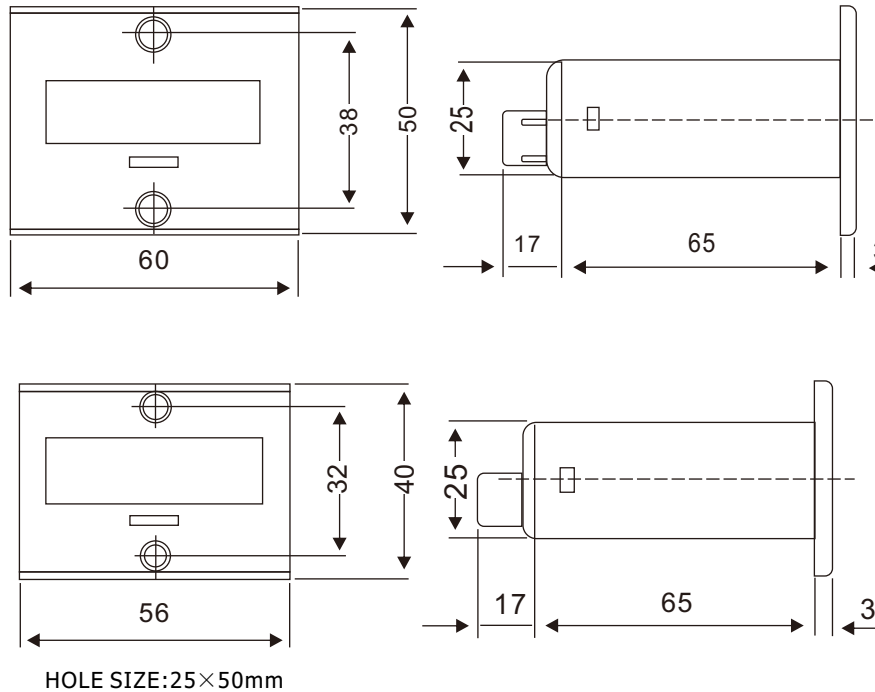
■ Model



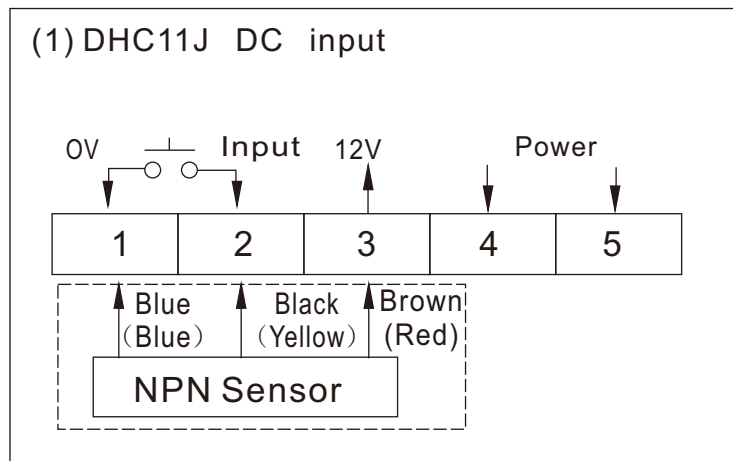
■ Technical parameters

- Power: AC 220V,110V,36V,24V
DC 24v,12v
- Counting range: 0-999999
 - DHC11J-DL(30times/second)
 - DHC11J-DH(500times/second)
- Display: 0.36inches
- Reset method: panel bottom reset
- Using temperature: -10 between 40
- Input signal: DC: L: 0-2V H:4-30V
- Input resistance: DC signal $\geq 4.7k$
- When trun off power: ≥ 10 years
- Weight: 65G
- Size: 25×50mm
- power consumption: $\leq 2VA$

■ Shape dimension figure



■ Connection method and note



- 1: the input circuit of counters signal should close to counter terminals, make the input wire more shorter. Avoid other strong electric wire. if necessary, pls use Shielding wire.
- 2: contact input should be safe, pls connect 1-10UF fuse on counter